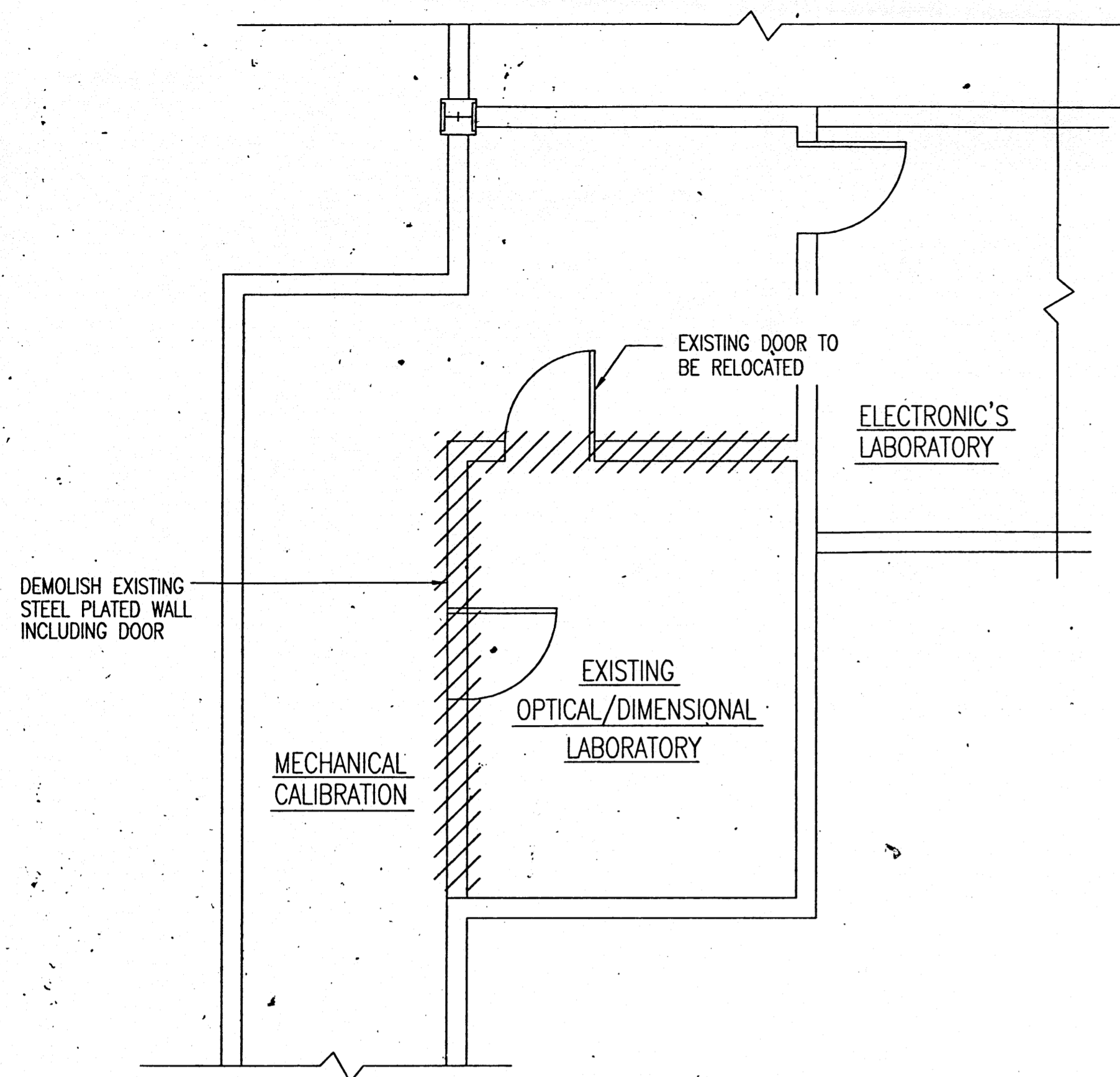
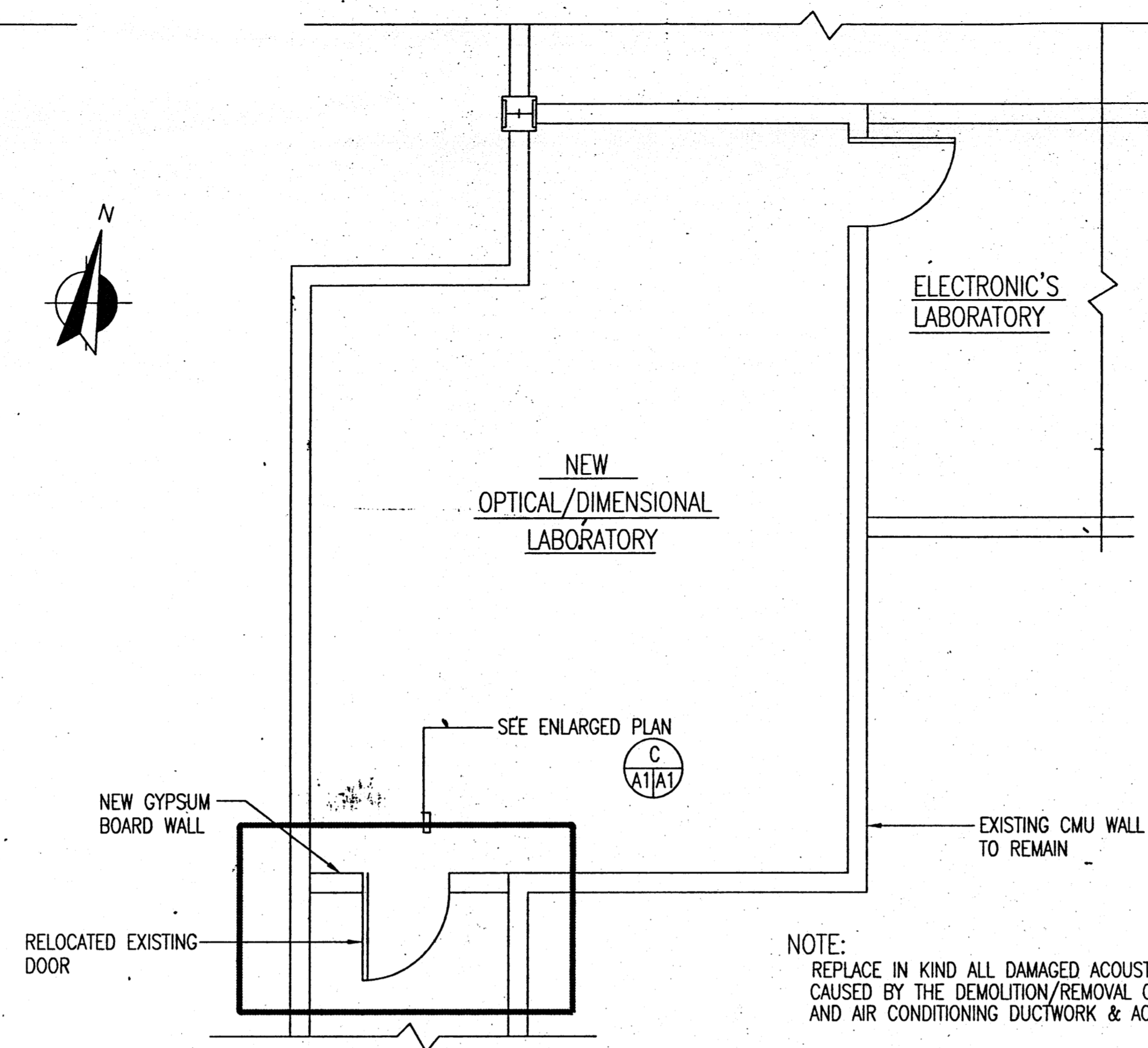


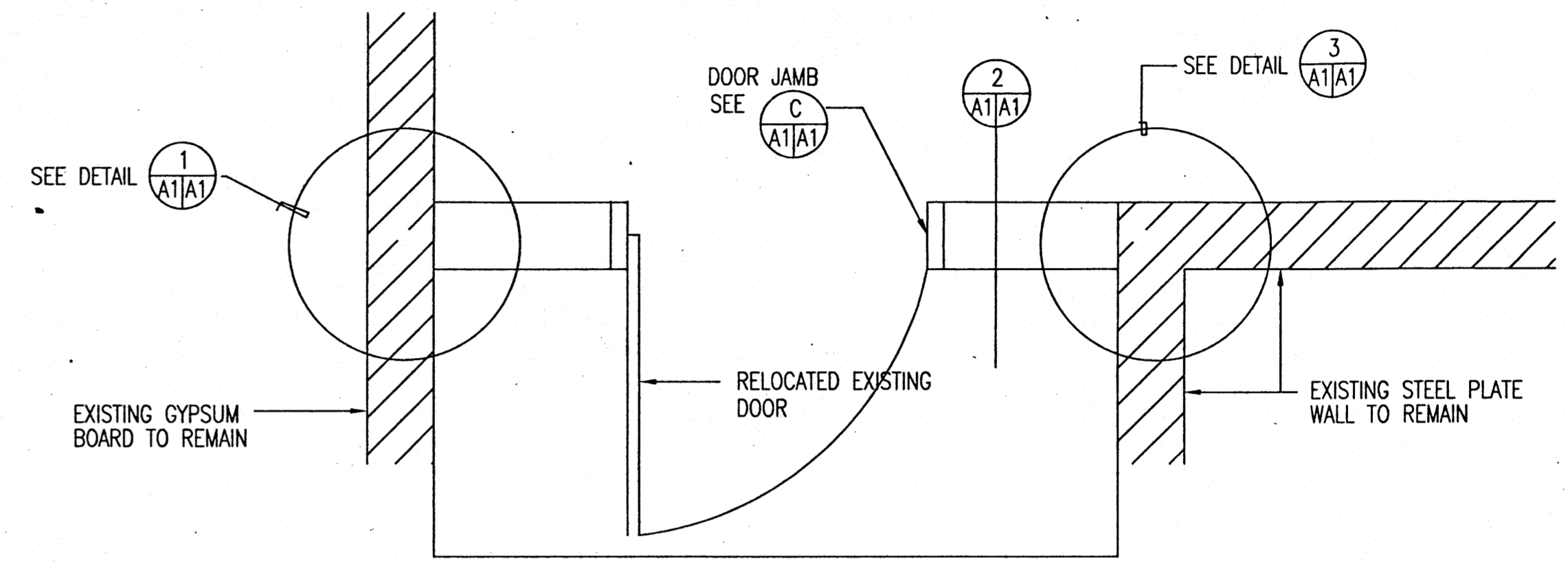
REVISIONS				
SYM	DESCRIPTION	REV. BY	DATE	APPV BY



A PLAN - EXISTING CONDITION
 A1|A1 SCALE: 1/4" = 1'-0"

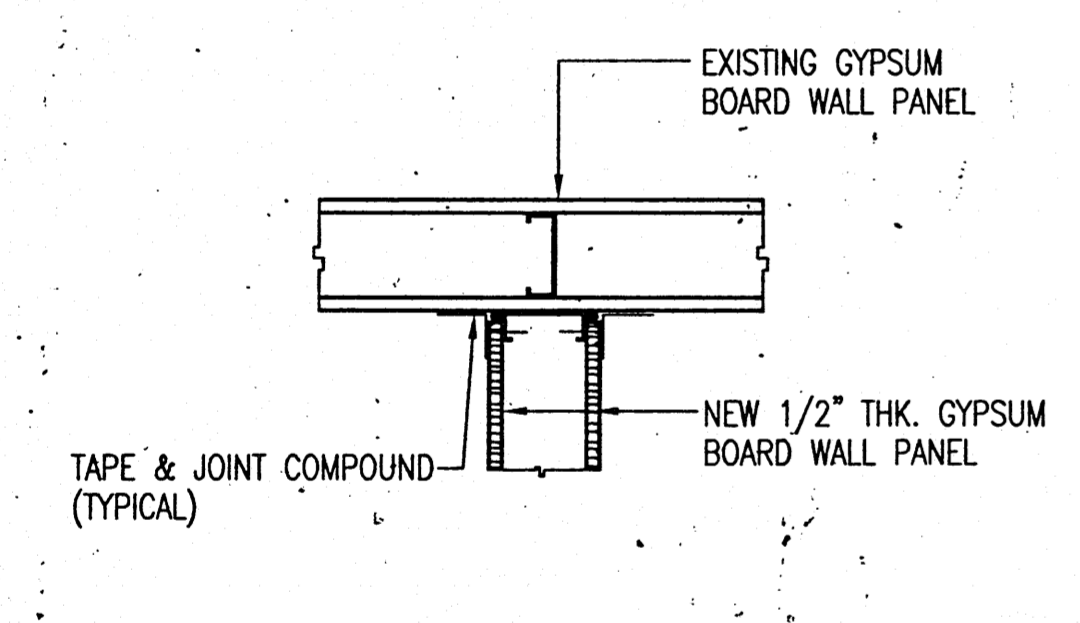


B PLAN - NEW CONDITION
 A1|A1 SCALE: 1/4" = 1'-0"

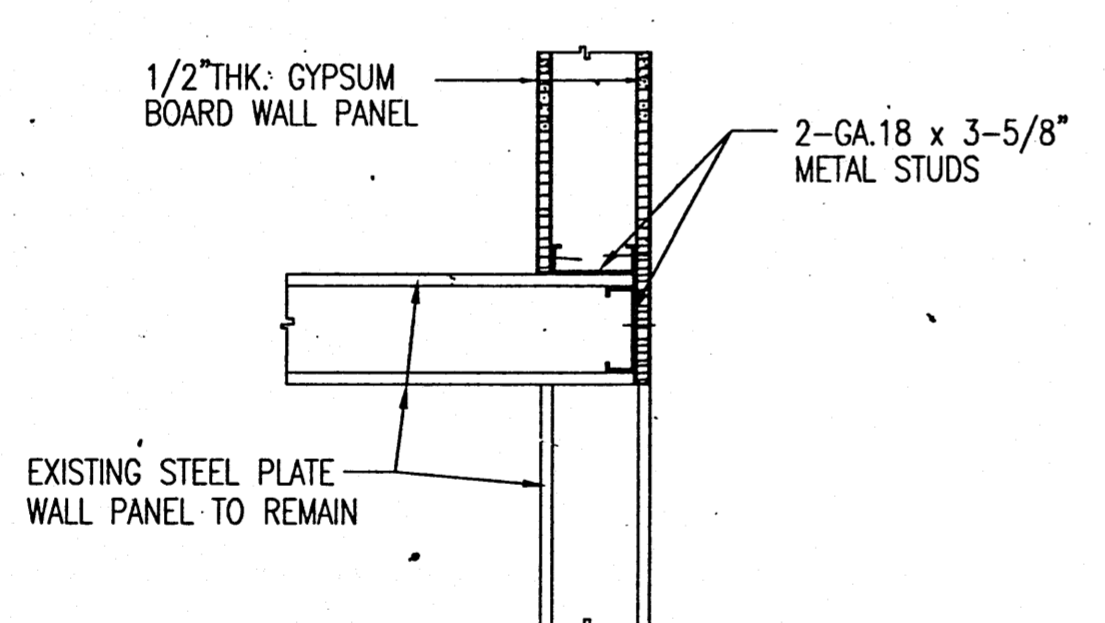


C ENLARGED PLAN
 A1|A1 SCALE: 3/4" = 1'-0"

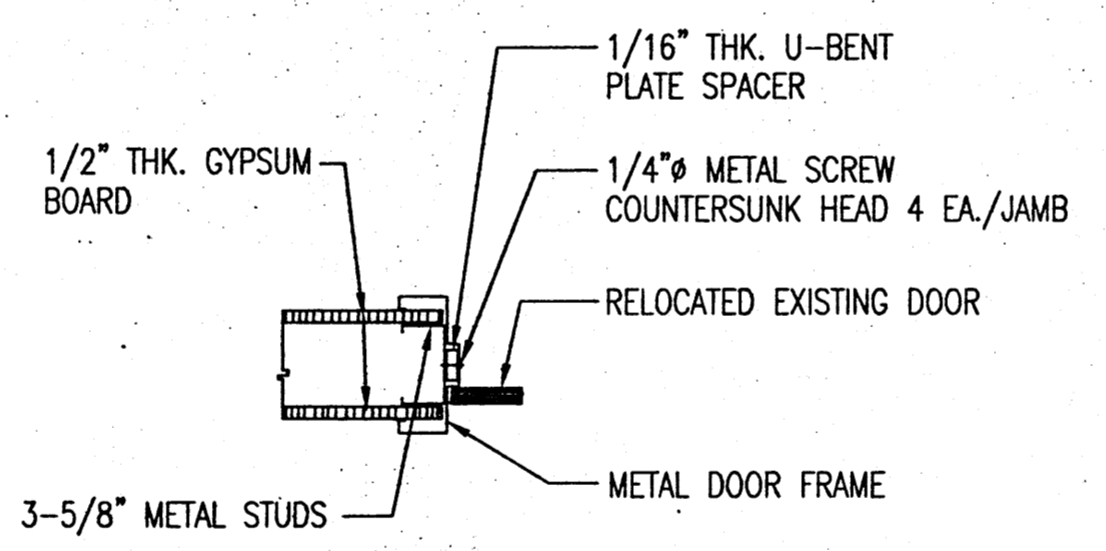
NOTE: REPLACE IN KIND ALL DAMAGED ACOUSTICAL CEILING TILES CAUSED BY THE DEMOLITION/REMOVAL OF EXISTING WALLS AND AIR CONDITIONING DUCTWORK & ACCESSORIES.



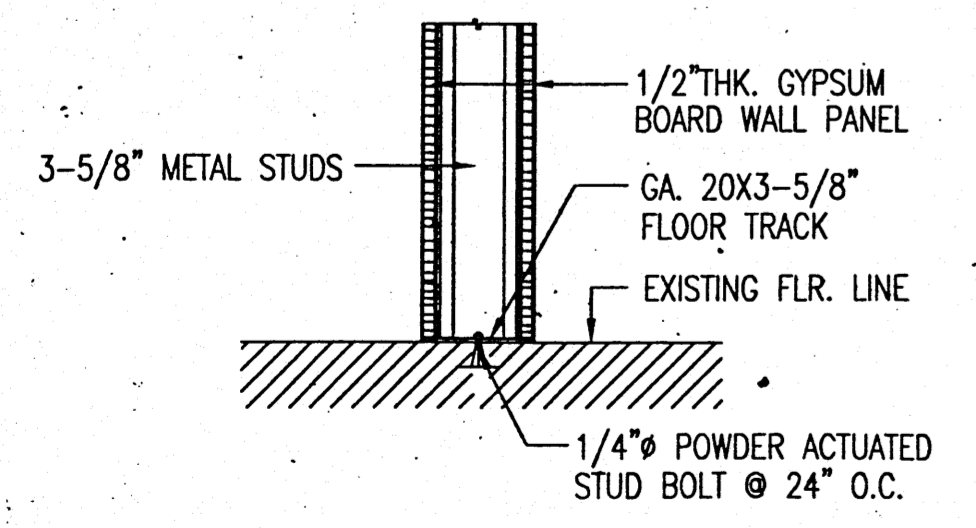
1 DETAIL
 A1|A1 SCALE: 1 1/2" = 1'-0"



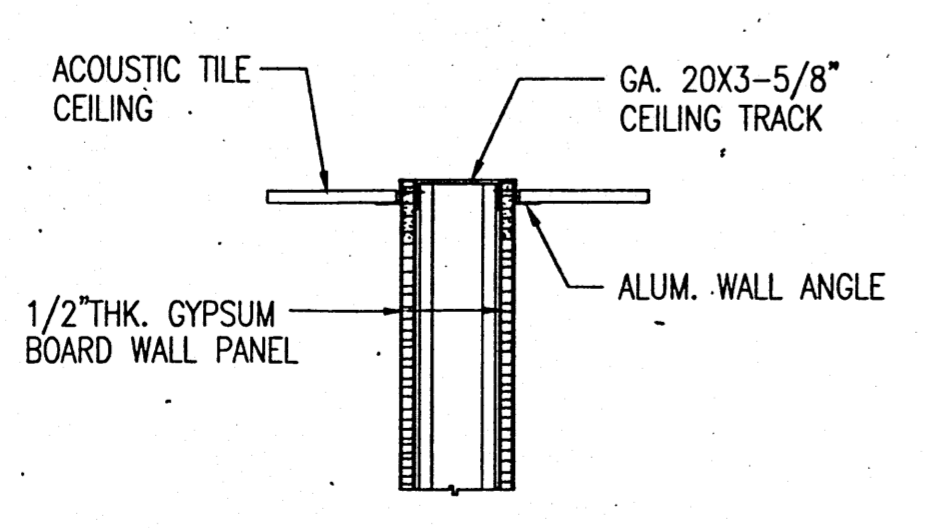
3 DETAIL
 A1|A1 SCALE: 1 1/2" = 1'-0"



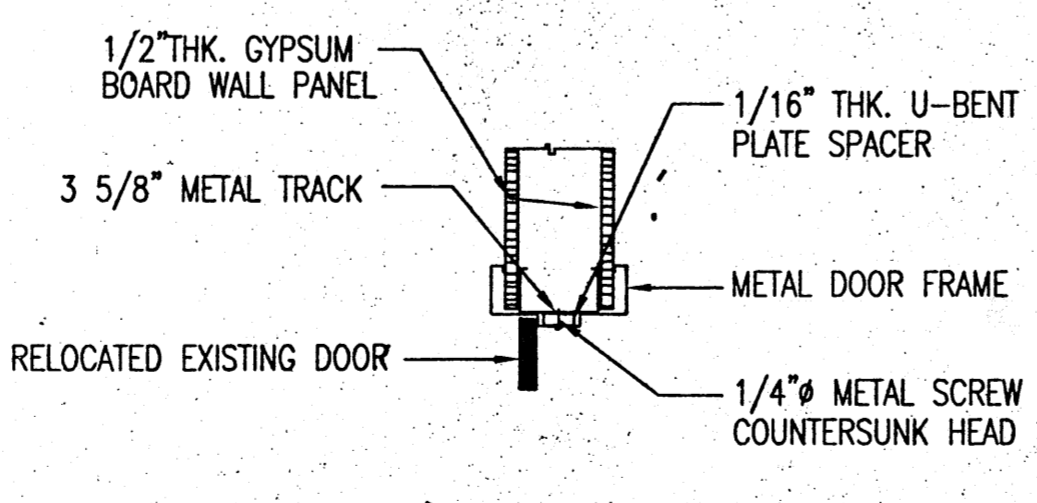
5 JAMB
 A1|A1 SCALE: 1 1/2" = 1'-0"



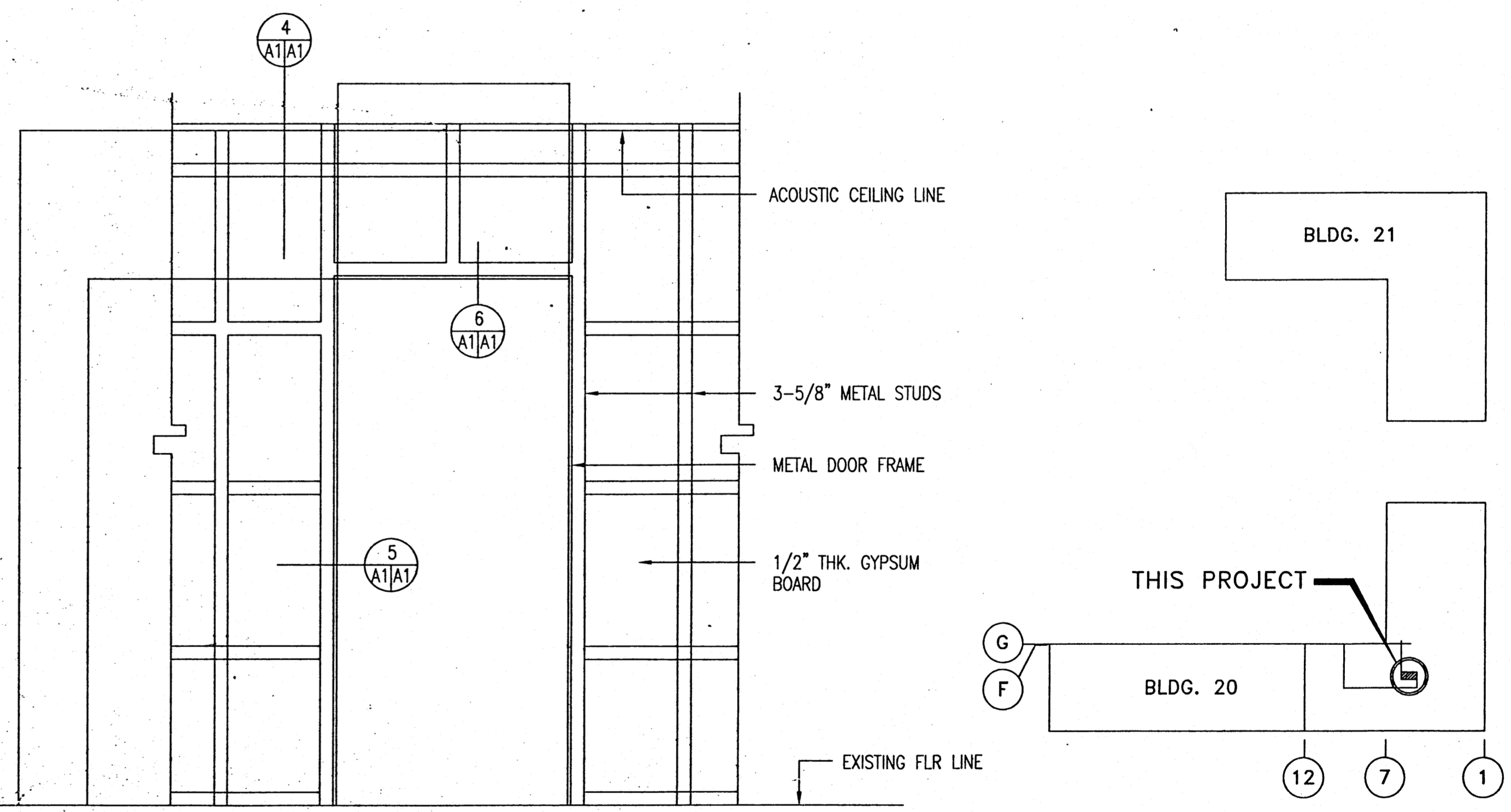
2 SECTION
 A1|A1 SCALE: 1 1/2" = 1'-0"



4 SECTION
 A1|A1 SCALE: 1 1/2" = 1'-0"



6 HEAD
 A1|A1 SCALE: 1 1/2" = 1'-0"

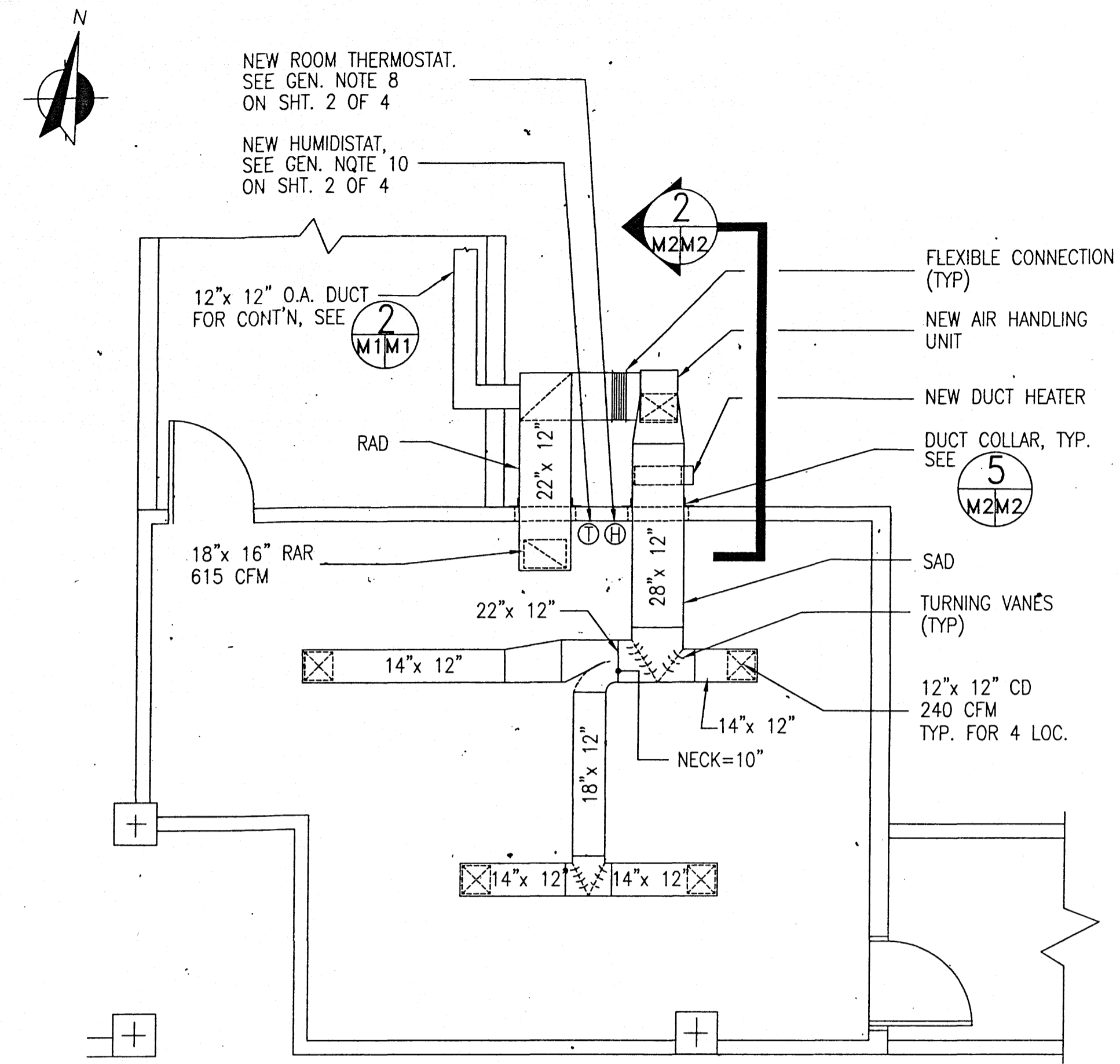


D ELEVATION
 A1|A1 SCALE: 3/4" = 1'-0"

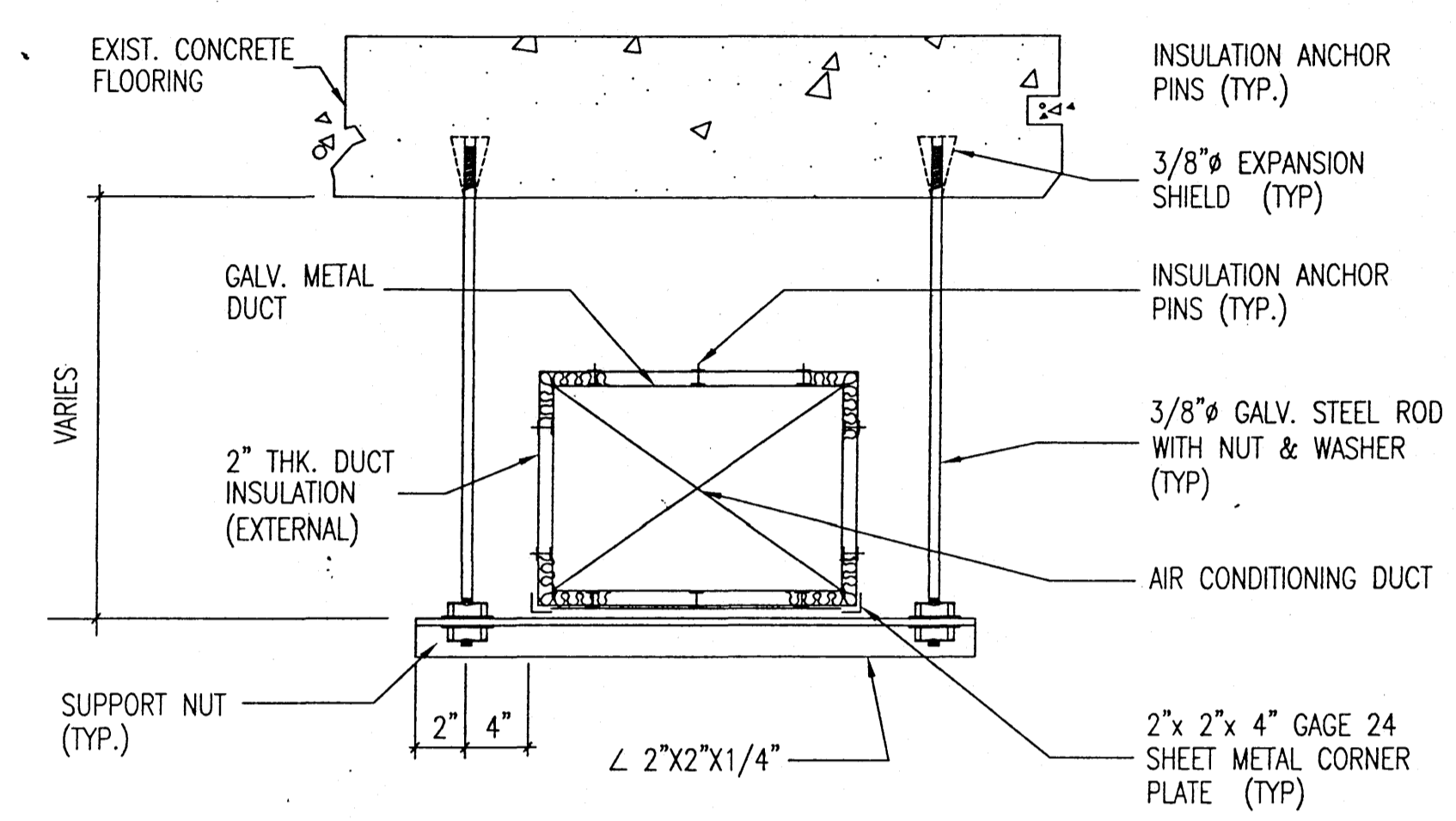
E KEY PLAN
 A1|A1 NOT TO SCALE

AUTOCAD SYSTEM DIRECTOR: C: FILE: \FOG\50324A1.DWG		SATISFACTORY TO: DATE: 4-1-96 STAFF CIVIL ENGINEER		FOG NCR CHECKED: 4-1-96 DIV. MGR. 4-1-96 P.P. BALDEVA, P.E. APPROVED BY: 4-1-96 LCDR (SEL) J.W. KORKA, P.E. HEAD, FAC ENGINEERING DEPARTMENT FOR COMMANDER, NAVFAC W. R. NO. 5 0 3 2 4		DEPARTMENT OF THE NAVY NAVAL FACILITIES ENGINEERING COMMAND PUBLIC WORKS CENTER GUAM, M.I. S R F TEMPERATURE/HUMIDITY CORRECTIONS AT OPTICAL/DIMENSIONAL LAB., BLDG. 20 SHEET CONTENTS: PLAN-EXISTING CONDITION; PLAN-NEW CONDITION; ENLARGED PLAN; SECTION; DETAILS CODE IDENT. NO. 80091 SIZE D PWC DRAWING NO. 17776 DISCIPLINE DRAWING NO. A-1 SCALE: AS SHOWN SHEET 1 OF 4	
--	--	--	--	---	--	---	--

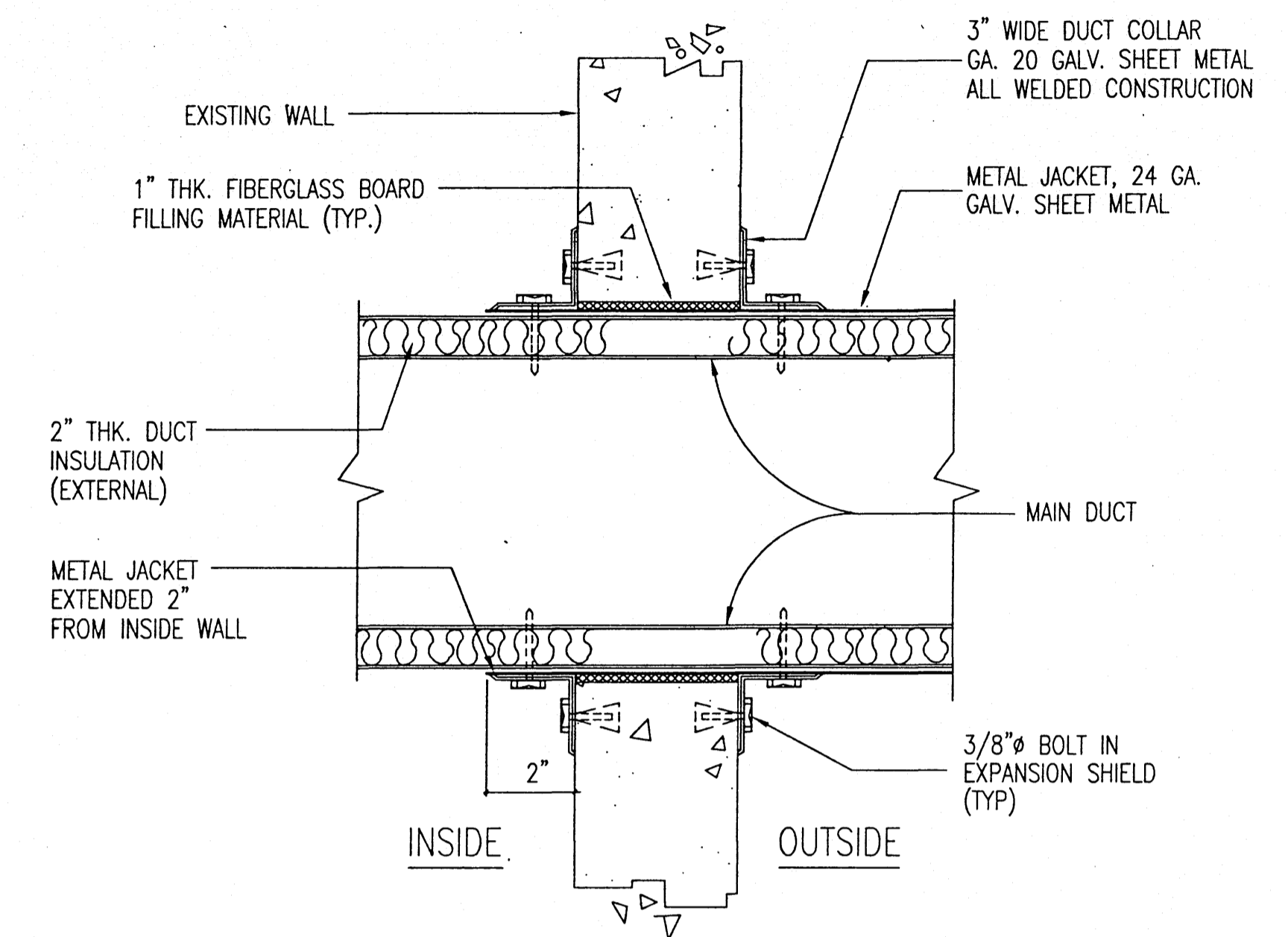
REVISIONS					
SYM	DESCRIPTION	REV. BY	DATE	APPV BY	DATE



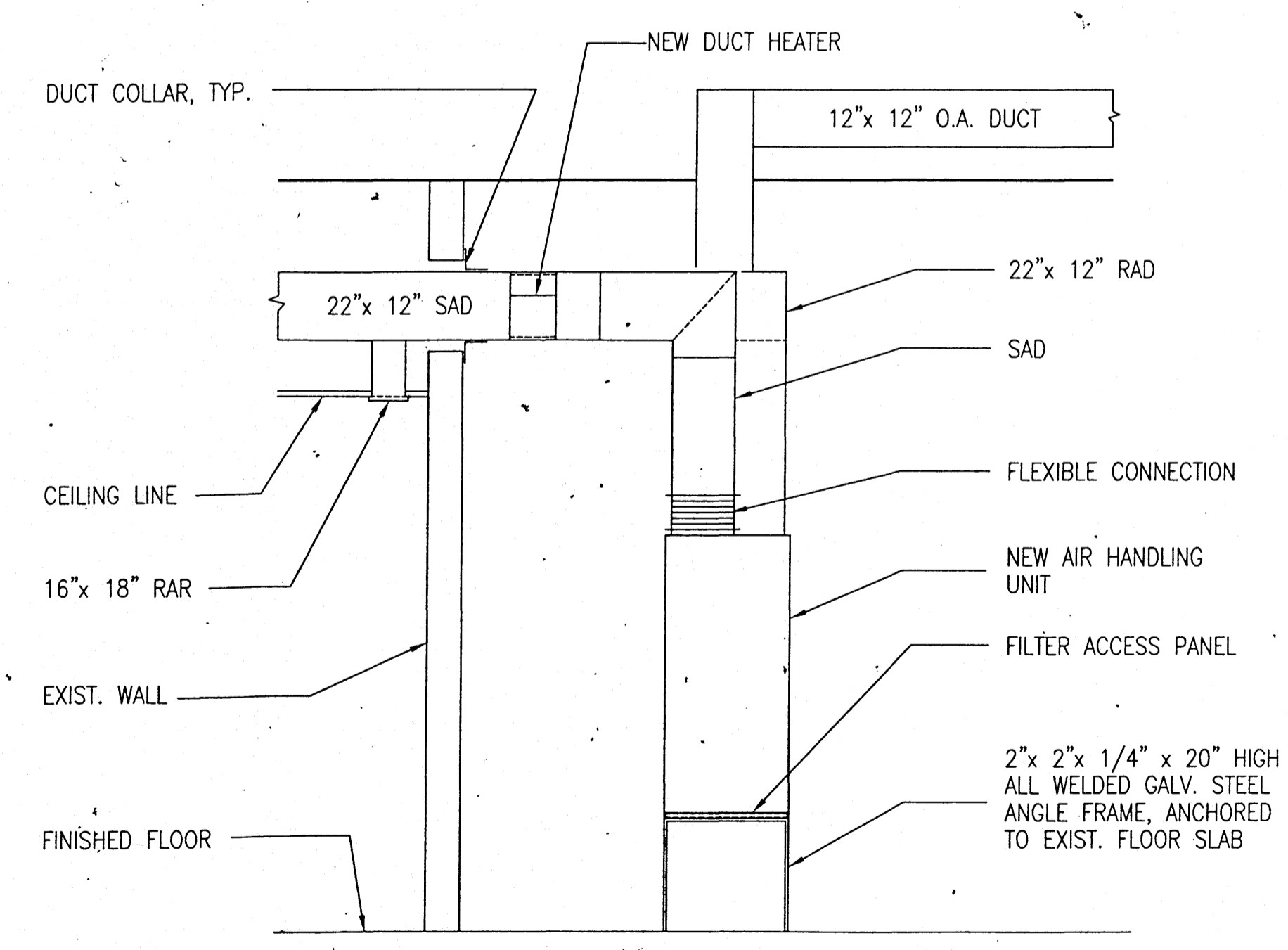
1 DUCTWORK & AIR DISTRIBUTION PLAN
 SCALE: 1/4" = 1'-0"



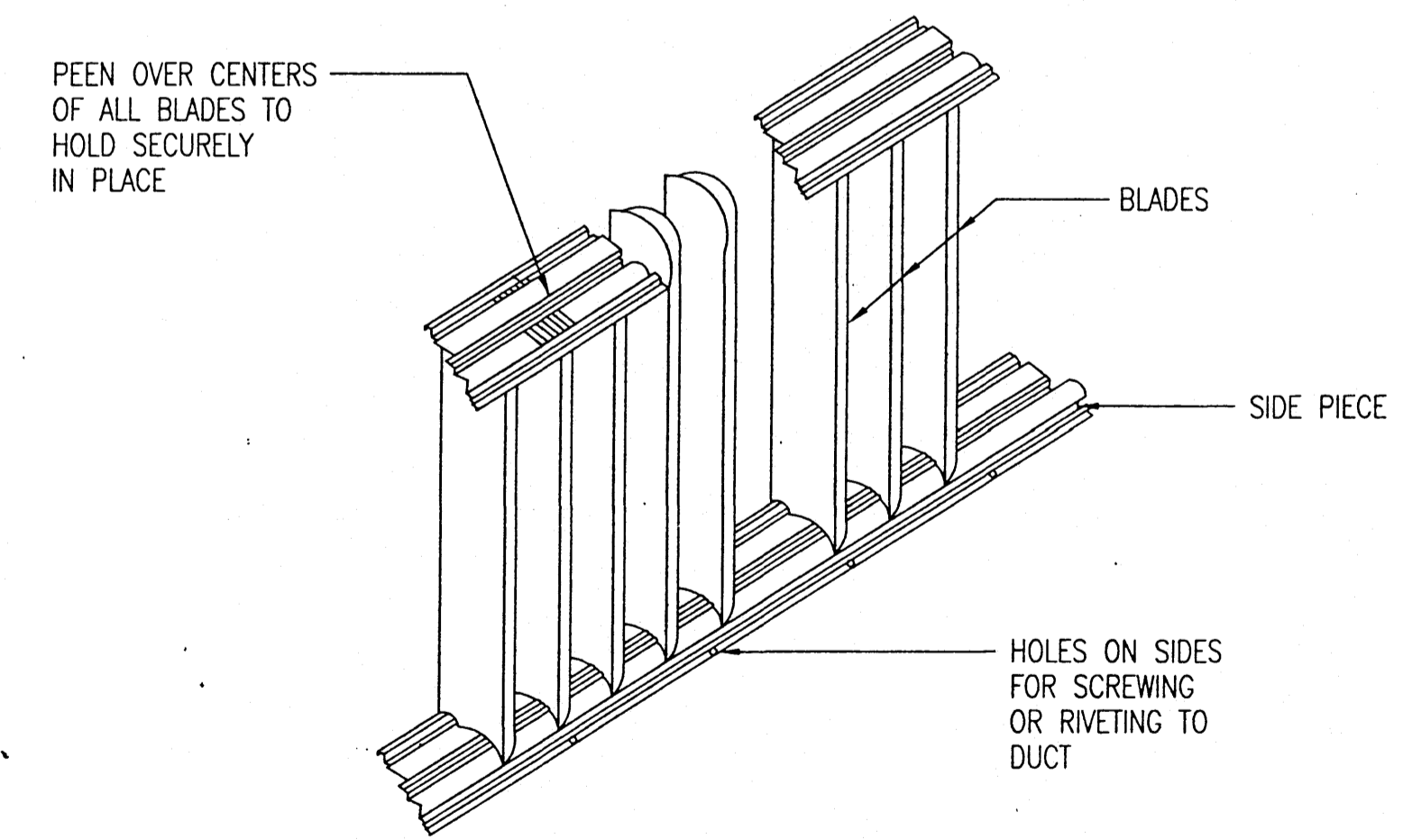
3 DUCT SUPPORT DETAIL
 SCALE: NONE



5 DUCT THRU WALL DETAIL
 SCALE: NONE

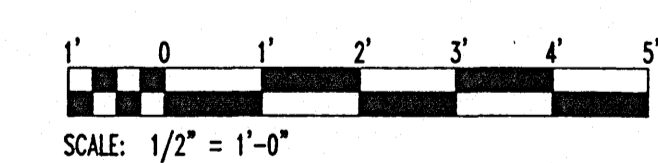
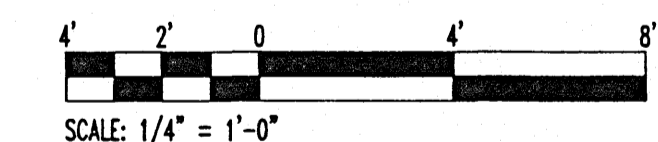


2 SECTION
 SCALE: 1/2" = 1'-0"

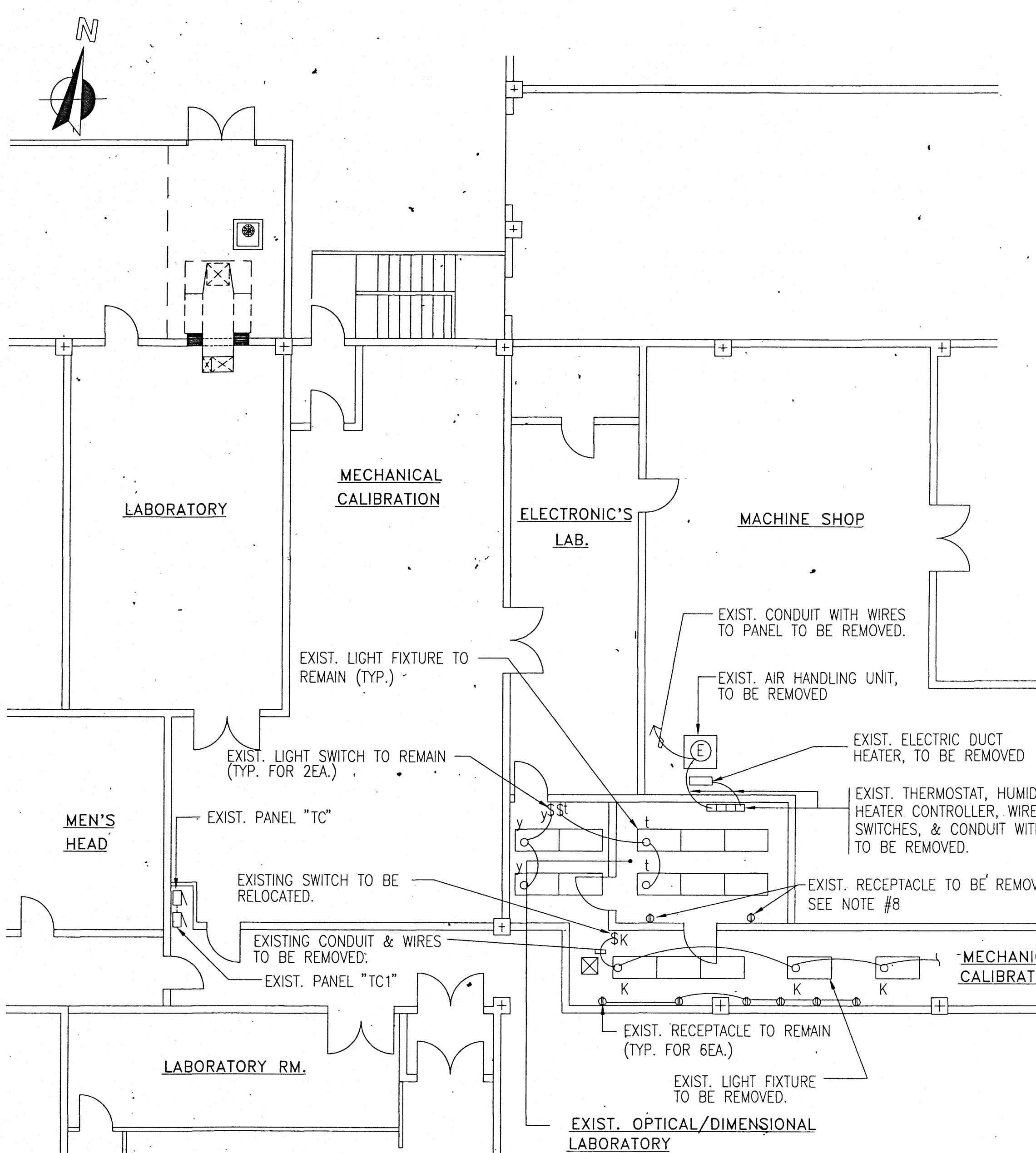


4 TURNING VANES DETAIL
 SCALE: NONE

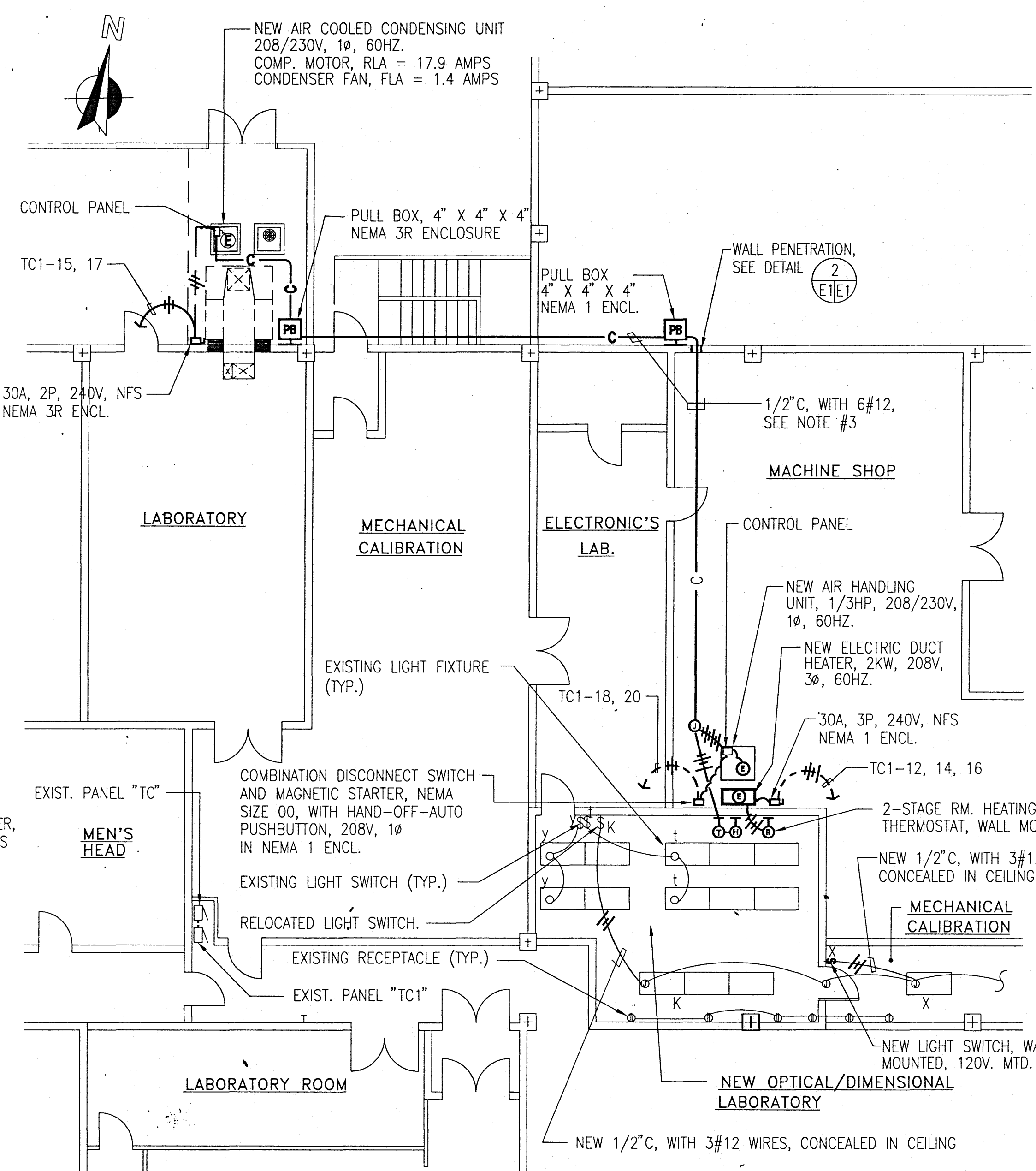
GRAPHIC SCALES:



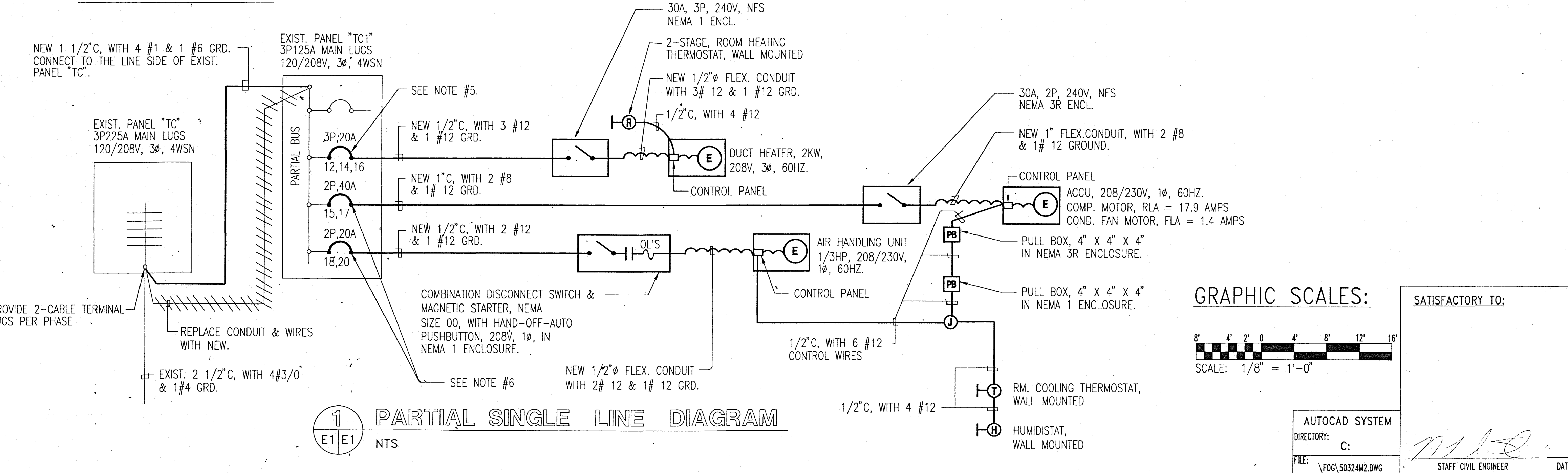
AUTOCAD SYSTEM DIRECTORY: C: FILE: \FOG\50324M2.DWG	SATISFACTORY TO:	PDE: FOG DRAWN: fog CHECKED: RFB DIV. MGR: R.P. BALDEVA, P.E. 04-9-98 APPROVED BY: [Signature] 4-9-98 HEAD, FAC ENGINEERING DEPARTMENT FOR COMMANDER NAVFAC	DEPARTMENT OF THE NAVY NAVAL FACILITIES ENGINEERING COMMAND PUBLIC WORKS CENTER GUAM, M.I. S R F
	STAFF CIVIL ENGINEER	DATE	TEMPERATURE/HUMIDITY CORRECTIONS AT OPTICAL/DIMENSIONAL LAB., BLDG. 20 SHEET CONTENTS: DUCTWORK & AIR DISTRIBUTION PLAN; SECTION; DETAILS CODE IDENT. NO. 80091 SIZE D PWC DRAWING NO. 17776 DISCIPLINE DRAWING NO. M-2 SCALE: AS SHOWN SHEET 3 OF 4



A PARTIAL ELECTRICAL PLAN - EXISTING CONDITION/REMOVAL WORK
 SCALE: 1/8" = 1'-0"



B PARTIAL ELECTRICAL PLAN - NEW CONDITION
 SCALE: 1/8" = 1'-0"

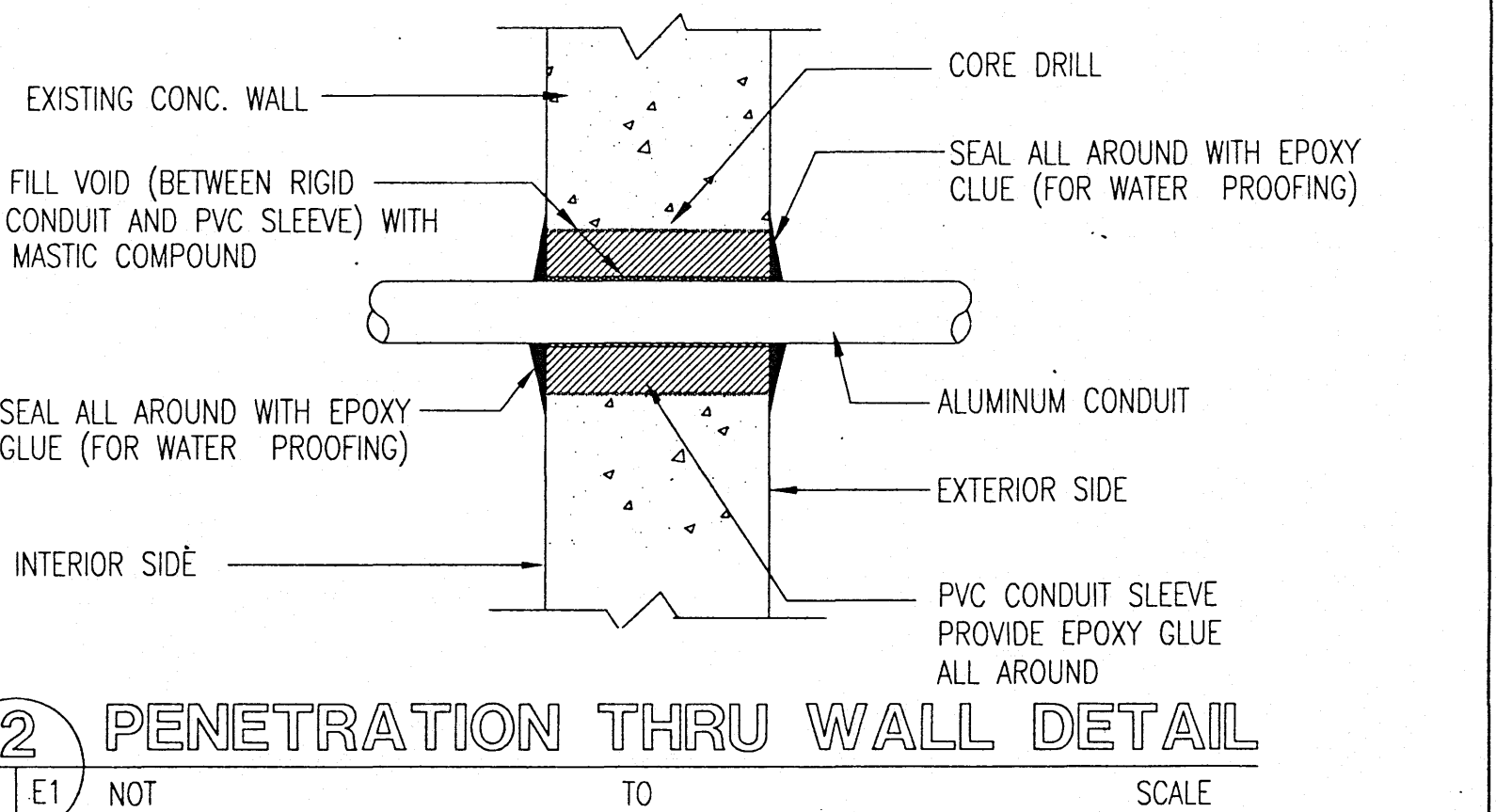


1 PARTIAL SINGLE LINE DIAGRAM
 SCALE: 1/8" = 1'-0"

REVISIONS					
SYM	DESCRIPTION	REV. BY	DATE	APPRD BY	DATE

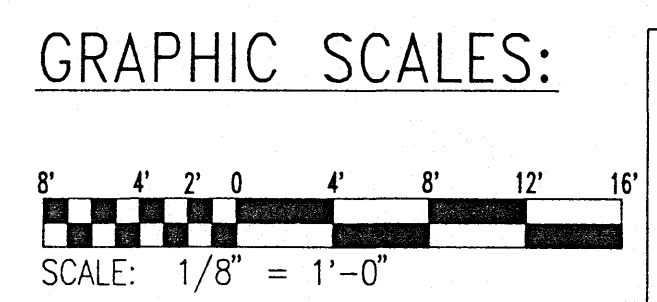
ELECTRICAL SYMBOL LIST		
NEW	EXISTING	DESCRIPTION
		PULL BOX, WALL, SURFACE MOUNTED
		JUNCTION BOX, CEILING MOUNTED
		DISCONNECT SWITCH, HP RATED
		EQUIPMENT CONNECTION WITH OVERLOAD PROTECTION
		RM. COOLING THERMOSTAT, WALL MOUNTED, MTD. 48" AFF.
		ELECTRIC PANELBOARD
		FLEXIBLE CONDUIT, LIQUIDTIGHT
		EXISTING RACEWAY
		ARROW, HOMERUN TO PANEL AS INDICATED. HASH MARKS INDICATE NUMBER OF WIRES WITHIN, INCLUDING GROUND
NFS		NON-FUSIBLE SWITCH
		RACEWAY, EXPOSED. HASH MARKS INDICATE NUMBER OF WIRES WITHIN, INCLUDING GROUND.
		A/C CONTROL RACEWAY, EXPOSED.
		DEHUMIDISTAT, WALL MOUNTED, MOUNTED 48" AFF.
		2-STAGE RM HEATING THERMOSTAT, MOUNTED 48" AFF.

- ELECTRICAL NOTES:**
- ALL ELECTRICAL MATERIALS AND WORKMANSHIP SHALL BE IN ACCORDANCE WITH THE APPLICABLE SECTIONS OF THE LATEST EDITION OF THE NATIONAL ELECTRICAL CODE (NEC).
 - METALLIC ENCLOSURES, RACEWAYS AND ELECTRICAL EQUIPMENT SHALL BE GROUNDED IN ACCORDANCE WITH REQUIREMENTS OF NEC ARTICLE 250. PROVIDE GROUND WIRE IN EVERY RACEWAY.
 - CONDUIT SHALL BE ALUMINUM FOR EXPOSED INSTALLATION. PROVIDE CONDUIT SUPPORT AT 7'-0" (MAXIMUM) ON CENTER. FLEXIBLE CONDUIT SHALL BE LIQUIDTIGHT AND IN ACCORDANCE WITH NEC ARTICLE 350.
 - WIRING SHALL BE NEC TYPE THWN, 600 VOLTS. ALL CONDUCTORS SHALL BE COPPER.
 - REPLACE 3P40A CIRCUIT BREAKER WITH NEW 3P20A IN CIRCUIT NOS.12,14,16 FOR THE NEW DUCT HEATER. NEW CIRCUIT BREAKER SHALL BE COMPATIBLE WITH THE EXISTING PANEL "TC1".
 - PROVIDE AND INSTALL 1EA. 2P40A CIRCUIT BREAKER FOR AIR COOLED CONDENSING UNIT (ACCU) AND 1EA. 2P20A CIRCUIT BREAKER FOR AIR HANDLING UNIT (AHU). NEW CIRCUIT BREAKERS SHALL BE COMPATIBLE WITH THE EXISTING PANEL "TC1".
 - CONTRACTOR SHALL PROVIDE UPDATE ON THE EXISTING PANELBOARD DIRECTORY.
 - REMOVE ALL EXISTING RECEPTACLES, CONDUITS, AND WIRING DUE TO REMOVAL OF WALL PARTITIONS AND DISCONNECT THE POWER SUPPLY.



2 PENETRATION THRU WALL DETAIL
 SCALE: 1/8" = 1'-0"

PDE: DZT	DEPARTMENT OF THE NAVY	NAVAL FACILITIES ENGINEERING COMMAND
DRAWN BY: R.G.AJE	PUBLIC WORKS CENTER	
CHECKED: 3-27-96	GUAM, M.I.	
DIV. MGR: R.P. BALDEVA, P.E.	TEMPERATURE/HUMIDITY CORRECTIONS AT OPTICAL/DIMENSIONS LAB., B-20	
APPROVED BY: R.P. BALDEVA, P.E.	SHEET CONTENTS: PARTIAL ELECTRICAL PLAN - EXIST. CONDITION/REMOVAL WORK, PARTIAL ELECTRICAL PLAN-NEW CONDITION, ELECTRICAL SYMBOL LIST, ELECTRICAL NOTES, AND PARTIAL SINGLE LINE DIAGRAM	
AUTOCAD SYSTEM	CODE IDENT. NO. 80091	SIZE D
W. R. NO. 5 0 3 2 4	PWC DRAWING NO. 1 7 7 7 6	
DATE	SCALE: AS SHOWN	
DATE	SHEET 4 OF 4	



SATISFACTORY TO:
 STAFF CIVIL ENGINEER